

Fire-Shut™ Features

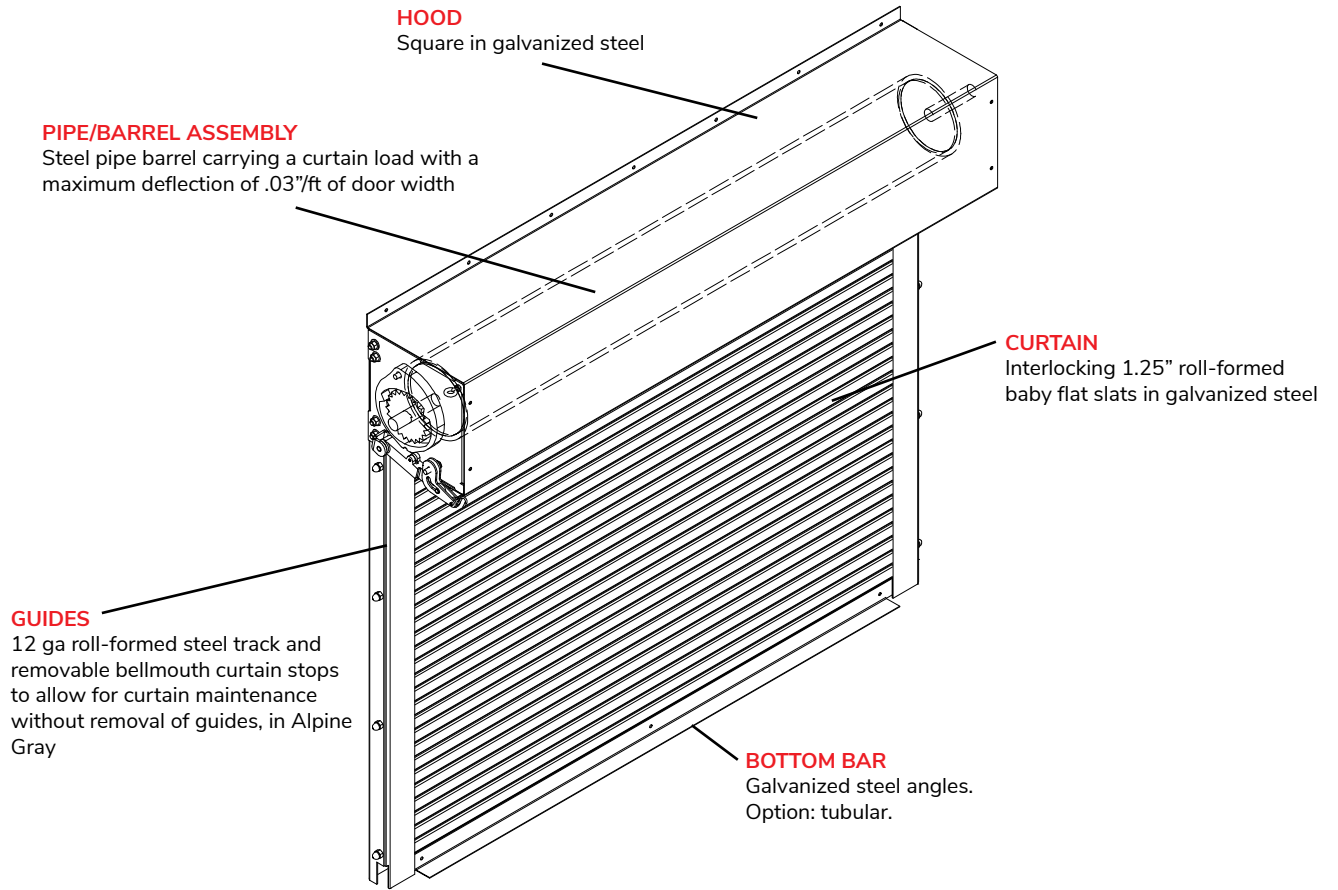
- Fire rated counter shutter
- U.L. classified 3/4, 1-1/2 or 3 hours of protection
- Coils upward, requiring little side or head room
- Built in accordance with the requirements specified by Underwriters Laboratories Inc.



Fire-Shut® shutters are ideal for use in school cafeterias, office windows, healthcare facilities, hospitals and airport concessions where fire protection is needed.

Functional Benefits

- These shutters function as standard counter shutters with the additional benefit of fire containment which is activated automatically in the event of a fire
- Activates upon melting of 165° fusible link.
- Most economical fire shutter available for fire containment
- Alpine's Fire-Shut® door products carry a 3 HR, 1-1/2 HR or 3/4 HR fire rating under UL File GSNV.
- Classified for openings up to 13'6" wide x 12' high



Operational Requirements

- Manual push up, hand crank, or motor operated. All operators can be adapted to specific mounting conditions.

Optional Materials and Finishes

- Galvanized, Stainless Steel or Pre-Painted
- Exo-Shield™ powder coating
- Guides available in Alpine Gray, Exo-Shield power coating or stainless

Product Selection Guide

More Economical



Note: NOT Fire Rated



Better Performance

