

Fire-Shut Split-Frame™ Features

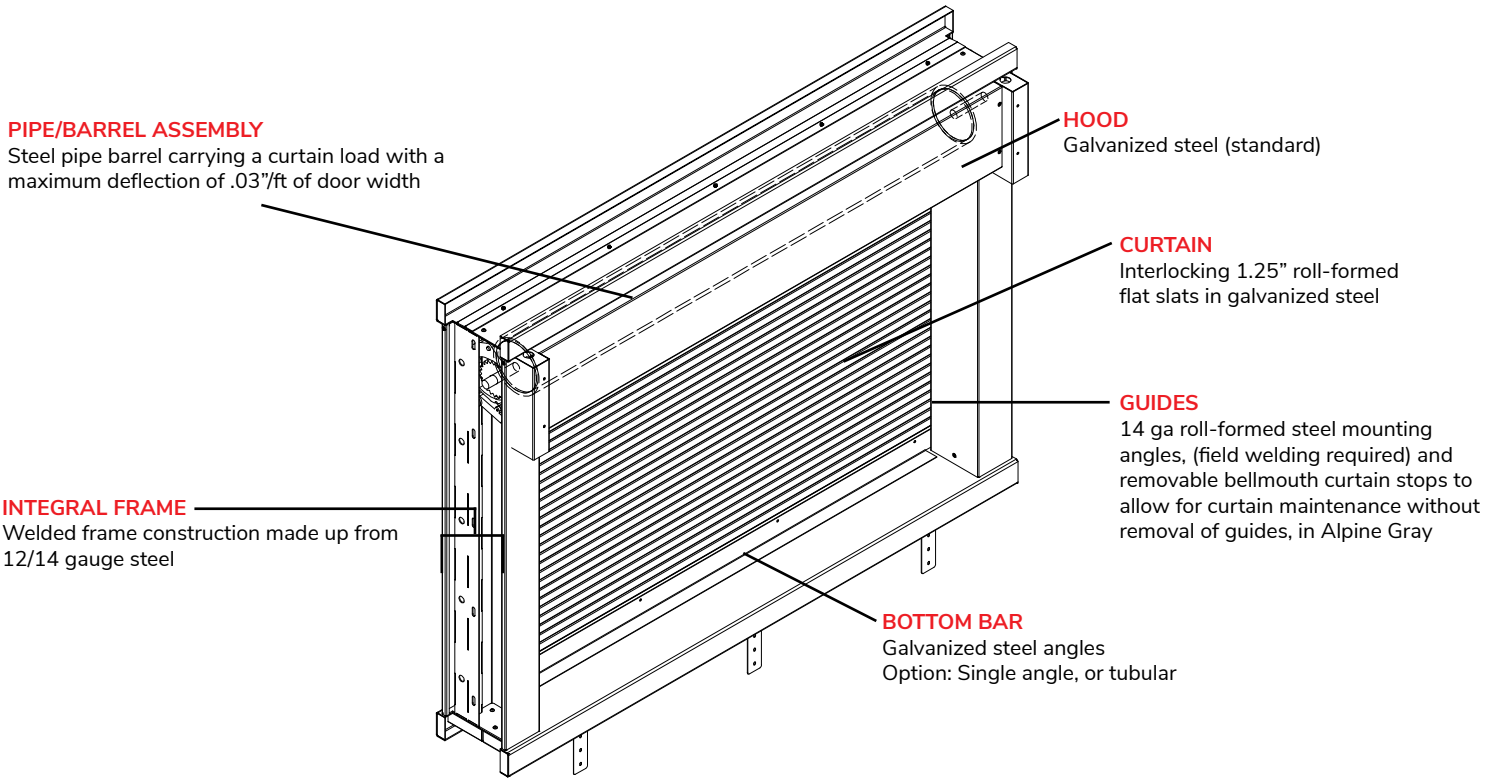
- Fire-rated Integral frame shutter
- Fits new and existing openings up to 86 sq. ft.
- Labels: UL ¾ hour or 1 ½ hour
- Customized to fit your wall thickness
- Accent and enhance building decor
- Available in a variety of finishes



Alpine's Fire-Shut Split-Frame™ integral frame doors are ideal for use office windows, cashier's windows, healthcare facilities and hospitals, parts windows, will call windows, medication dispensaries, check cashing windows, banks, and many more.

Functional Benefits

- These doors are fully assembled at the factory and offer a clean, custom appearance with no exposed edges
- No field assembly required therefore these doors make for a quick and easy installation
- Will include a ¾ hour or 1-1/2 hour label for fire protection.
- Completed units are factory welded and provide a seamless, built-in look
- Units are built to exact opening size requirements as follows:
Face Mounted: 10' 2" W x 5' H, up to 51 sq ft.
Between Jambs: 10' 10" W x 6' 4" H, up to 86 sq ft.



Operational Requirements

- Manual push up, hand crank, hand chain or motor operated. All operators can be adapted to specific conditions.

Optional Materials and Finishes

- Stainless Steel or Pre-Painted
- Exo-Shield™ powder coating
- Guides available in galvanized, gray primer or stainless steel finish

Product Selection Guide

More Economical



Better Performance

